

# T4 MINI TRIM SWITCHES

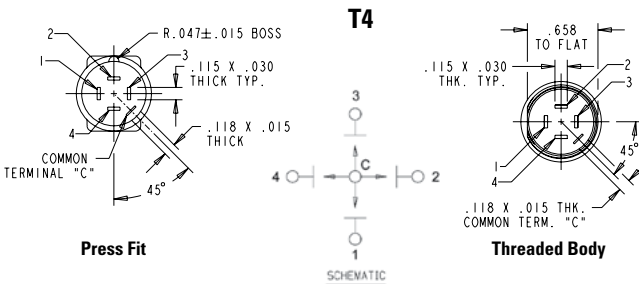
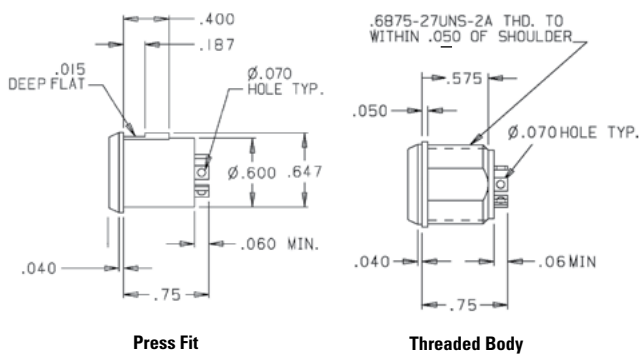
**MT**  
T4 MINI TRIM SWITCHES

## 4-WAY MINI TRIM, COMMERCIAL & MILITARY GRADES

OTTO Mini Trims are toggle switches available in 2-way, 4-way, 4-way plus pushbutton, and 8-way versions. The T4 Mini Trim is a single pole, 4 throw, center off, momentary contact (self return to center off). Numerous button styles are available on both the Commercial and Military grade switch versions. Mini Trims are typically press fit into control grips or panel mounted using versions with an 11/16" threaded case. Mini Trims are also available with multiple sealing levels to fit all applications.



### Typical Dimensions



### Standard Characteristics/Ratings:

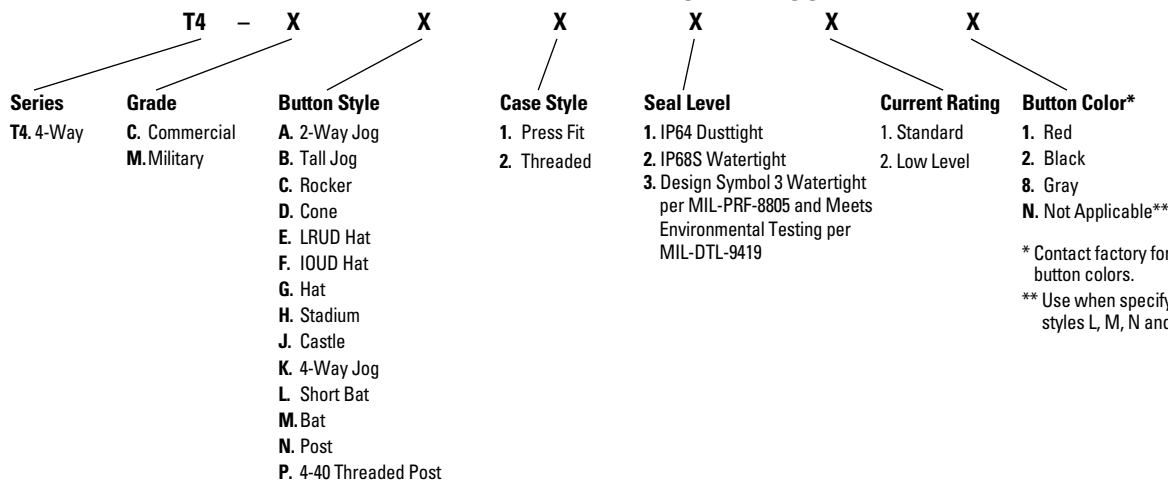
#### ELECTRICAL RATINGS:

Load	Rating
Resistive	10mA @ 5VDC (low level)
Inductive	1A @ 28VDC
DWV	1050Vrms
Low Level	10mA Resistive @ 5VDC
<b>Electrical Life:</b>	100,000 cycles 1A Inductive @ 28VDC
<b>Lever Travel:</b>	15° max from center OFF
<b>Seal:</b>	IP64 or IP68S or MIL-PRF-8805 Design 3
<b>Operating Temp Range:</b>	-55°C to +85°C
<b>Operating Force:</b>	16 oz +/- 6 oz
<b>Lever Pivot &amp; Stop Strength:</b>	Switch is capable of withstanding a force of 25.0 lbs. applied to the actuating button. The button also withstands 15.0 lbs. minimum pull force.

#### MATERIALS:

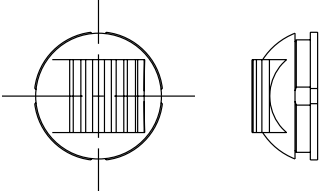
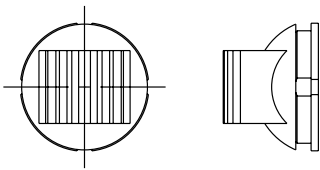
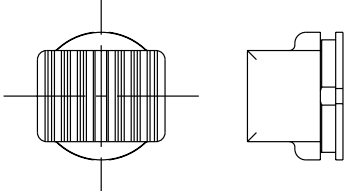
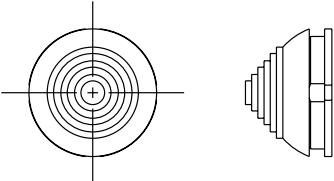
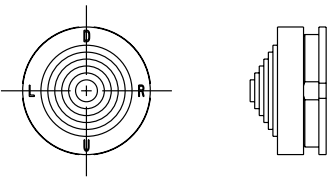
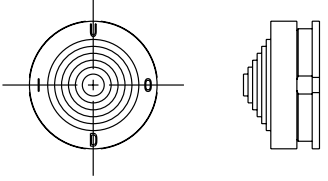
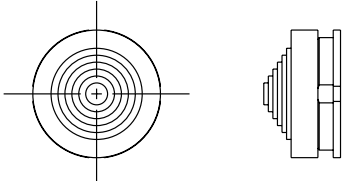

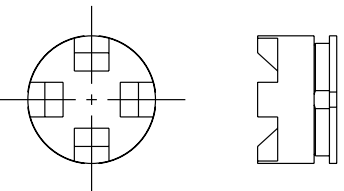
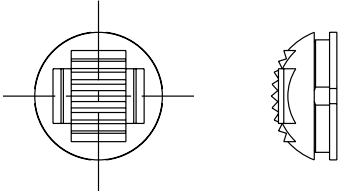
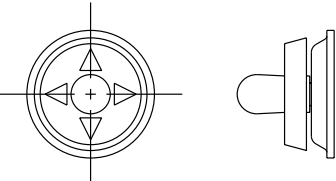
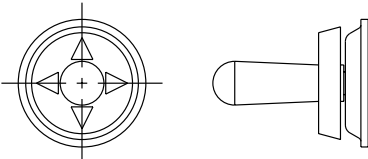
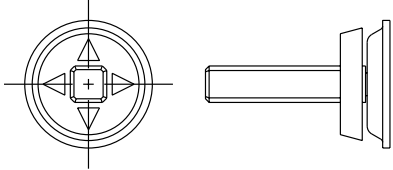
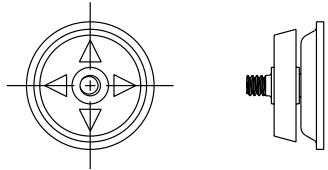
<b>Case:</b>	Aluminum alloy or thermoplastic
<b>Button:</b>	Thermoplastic
<b>Terminals:</b>	Silver over brass Brass with gold over silver for low level
<b>Terminal Hardware:</b>	None provided
<b>Mounting Hardware:</b>	Hex nut, tooth lockwasher, panel seal gasket where applicable

### T4 MINI TRIM PART NUMBER CODE



# MINI TRIM BUTTON STYLES

## MINI TRIM BUTTON STYLES

<p><b>A - 2-WAY JOG</b></p> 	<p><b>B - TALL JOG</b></p> 	<p><b>C - ROCKER</b></p> 
<p><b>D - CONE</b></p> 	<p><b>E - LRUD HAT</b></p> 	<p><b>F - IOUD HAT</b></p> 
<p><b>G - HAT</b></p> 	<p><b>H - STADIUM</b></p> 	<p><b>J - CASTLE</b></p> 
<p><b>K - 4-WAY JOG</b></p> 	<p><b>L - SHORT BAT</b></p> 	<p><b>M - LONG BAT</b></p> 
<p><b>N - POST</b></p> 	<p><b>P - 4-40 THREADED POST</b></p> 	

TRIM SWITCHES