

MOMENTARY OR PUSH-PULL ACTION, SHORTER BEHIND PANEL, SUBMINIATURE DOUBLE BREAK

Makes and breaks every time!
OTTO's inherent rocking action
breaks, welds and wipes contacts clean.

The P8 series pushbutton switches feature a shortened back panel depth while offering all the features of the regular size P1 and P3 series switches. P8 series switches offer vastly improved electrical and mechanical life under extreme conditions found in most military and industrial environments.

On sealed models, a silicone boot operating on our patented "rolling sleeve" principle protects the contact area against contamination at the button area. This boot provides long life and smooth operation over a wide temperature range. Sealed terminals protect the contact area from hostile environments and solder flux on both sealed and unsealed models.

High contact force (120g/4.2 oz), low contact resistance (25mΩ max) and short contact bounce are the result of our snap-action mechanism. These characteristics guarantee exceptional current carrying capabilities over the life of the switch. With the optional low level configuration the P8 is well suited to interface directly to computers and other solid state devices.

The P8 series is a quality precision snap-action switch designed for use in panel boards, control sticks, computers, instruments, pressure switches and other hand or machine operated applications where rugged pushbutton switches are required. In addition, its precision permits the OTTO P8 to also be used as a limit switch. The P8 offers unique size, high electrical ratings and a wide choice of mounting styles.

Features:

- Shorter behind panel depth than OTTO's P1/P3
- Patented "rolling sleeve" button seal
- Contact area sealed at button & terminals
- Positive tactile feedback
- Less than 25mΩ contact resistance
- Variety of mounting styles
- Variety of button lengths & shapes
- Engraved buttons & bezels available
- Mechanical life 1 million cycles
- UL recognized & CSA certified
- Sealed to IP64 or IP68S
- Reach compliant



Standard Characteristics/Ratings:

ELECTRICAL RATINGS:

Load	Sea Level @ 28VDC or 115VAC, 60/400Hz
Resistive	10A
Inductive	5A
Lamp	3A
DWV	1050Vrms
Low Level	10mA @ 30mV

Electrical Life: 100,000 cycles (25,000 low level)

Mechanical Life: 1,000,000 cycles

Seal: IP64 or IP68S

Operating Temp Range: -55°C to +85°C

Operating Force: 2.5 lbs. +/- 0.5/-1.0 lb. or 4.0 lbs. +/- 1.0 lb.

Total Travel: 0.085 +/- 0.015 inches

Overtravel: 0.012 inches min

MATERIALS:

Case: Anodized aluminum alloy

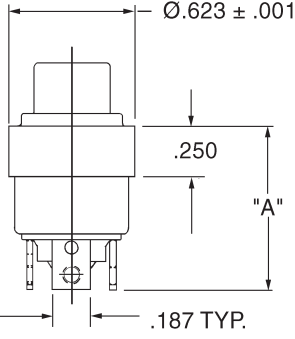
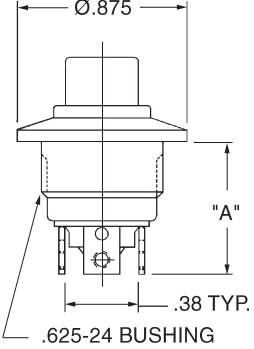
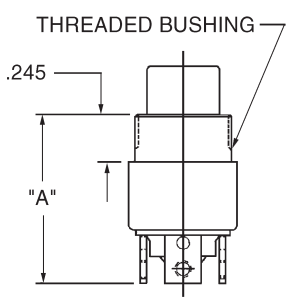
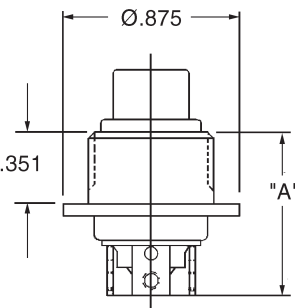
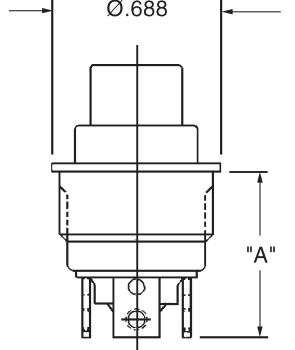
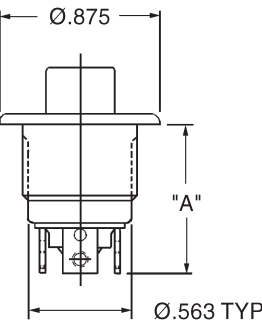
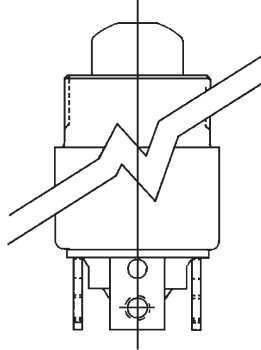
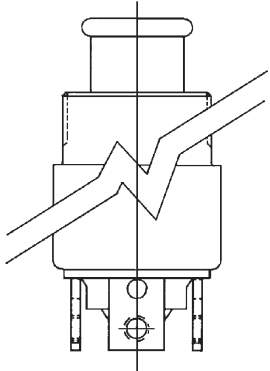
Button: Thermoplastic

Terminals: Brass with gold

Terminal Hardware: Terminal lugs, screws and lockwasher where applicable

Mounting Hardware: Hex nut, lockwasher, panel seal gasket when applicable

MOMENTARY OR PUSH-PULL ACTION, SHORTER BEHIND PANEL, SUBMINIATURE DOUBLE BREAK

<p>P8-1, Style A Bezel Press Fit Bushing Flat Button Shape Shown Specify Dia.: 0.312" or 0.375" Height: 0.187" or 0.250"</p>  <table border="1"> <thead> <tr> <th>Terminal Styles</th> <th>"A" (inches)</th> </tr> </thead> <tbody> <tr> <td>1, 2, 4 & 5</td> <td>0.808</td> </tr> <tr> <td>3 & 6</td> <td>0.922</td> </tr> </tbody> </table>	Terminal Styles	"A" (inches)	1, 2, 4 & 5	0.808	3 & 6	0.922	<p>P8-3, Style C Bezel 0.625-24 Bushing Flat Button Shape Shown Specify Dia.: 0.312" or 0.375" Height: 0.187" or 0.250"</p>  <table border="1"> <thead> <tr> <th>Terminal Styles</th> <th>"A" (inches)</th> </tr> </thead> <tbody> <tr> <td>1, 2, 4 & 5</td> <td>0.683</td> </tr> <tr> <td>3 & 6</td> <td>0.797</td> </tr> </tbody> </table>	Terminal Styles	"A" (inches)	1, 2, 4 & 5	0.683	3 & 6	0.797	<p>Small Bushing P8-4: 0.500-32 Bushing P8-5: 0.469-32 Bushing Flat Button Shape Shown Specify Dia.: 0.312" or 0.375" Height: 0.187" or 0.250"</p> <p>THREADED BUSHING</p>  <table border="1"> <thead> <tr> <th>Model</th> <th>Terminal Styles</th> <th>"A" (inches)</th> </tr> </thead> <tbody> <tr> <td>P8-4</td> <td>1, 2, 4 & 5</td> <td>0.870</td> </tr> <tr> <td></td> <td>3 & 6</td> <td>0.984</td> </tr> <tr> <td>P8-5</td> <td>1, 2, 4 & 5</td> <td>1.097</td> </tr> <tr> <td></td> <td>3 & 6</td> <td>1.211</td> </tr> </tbody> </table>	Model	Terminal Styles	"A" (inches)	P8-4	1, 2, 4 & 5	0.870		3 & 6	0.984	P8-5	1, 2, 4 & 5	1.097		3 & 6	1.211	<p>P8-6, Style F Bezel 0.625-24 Bushing Flat Button Shape Shown Specify Dia.: 0.312" or 0.375" Height: 0.187" or 0.250"</p>  <table border="1"> <thead> <tr> <th>Terminal Styles</th> <th>"A" (inches)</th> </tr> </thead> <tbody> <tr> <td>1, 2, 4 & 5</td> <td>0.808</td> </tr> <tr> <td>3 & 6</td> <td>0.922</td> </tr> </tbody> </table>	Terminal Styles	"A" (inches)	1, 2, 4 & 5	0.808	3 & 6	0.922
Terminal Styles	"A" (inches)																																			
1, 2, 4 & 5	0.808																																			
3 & 6	0.922																																			
Terminal Styles	"A" (inches)																																			
1, 2, 4 & 5	0.683																																			
3 & 6	0.797																																			
Model	Terminal Styles	"A" (inches)																																		
P8-4	1, 2, 4 & 5	0.870																																		
	3 & 6	0.984																																		
P8-5	1, 2, 4 & 5	1.097																																		
	3 & 6	1.211																																		
Terminal Styles	"A" (inches)																																			
1, 2, 4 & 5	0.808																																			
3 & 6	0.922																																			
<p>P8-7, Style G Bezel 0.625-24 Bushing Flat Button Shape Shown Specify Dia.: 0.312" or 0.375" Height: 0.187" or 0.250"</p>  <table border="1"> <thead> <tr> <th>Terminal Styles</th> <th>"A" (inches)</th> </tr> </thead> <tbody> <tr> <td>1, 2, 4 & 5</td> <td>0.683</td> </tr> <tr> <td>3 & 6</td> <td>0.797</td> </tr> </tbody> </table>	Terminal Styles	"A" (inches)	1, 2, 4 & 5	0.683	3 & 6	0.797	<p>P8-8, Style H Bezel 0.625-24 Bushing Flat Button Shape Shown Specify Dia.: 0.312" or 0.375" Height: 0.187" or 0.250"</p>  <table border="1"> <thead> <tr> <th>Terminal Styles</th> <th>"A" (inches)</th> </tr> </thead> <tbody> <tr> <td>1, 2, 4 & 5</td> <td>0.810</td> </tr> <tr> <td>3 & 6</td> <td>0.924</td> </tr> </tbody> </table>	Terminal Styles	"A" (inches)	1, 2, 4 & 5	0.810	3 & 6	0.924	<p>Dome Button Shape Specify Dia.: 0.312" or 0.375" Height: 0.187" or 0.250"</p> 	<p>Push-Pull Button Shape Available as Button Style P only.</p> 																					
Terminal Styles	"A" (inches)																																			
1, 2, 4 & 5	0.683																																			
3 & 6	0.797																																			
Terminal Styles	"A" (inches)																																			
1, 2, 4 & 5	0.810																																			
3 & 6	0.924																																			

ORDERING INFORMATION:

Select the OTTO P8 series switch to match your application requirements. Combinations of features are almost limitless. When ordering, please use the OTTO Part Number.

Example: P8-316329B specifies a "C" style bezel, silver color case, solder terminals, 2 circuit contact configuration, standard contact rating, watertight seal construction, 4.0 lbs. operating force momentary action, white button 0.375" diameter by 0.250" long, dome shaped. For low level switching option, specify P8-316529B.

P8 PART NUMBER CODE

P8	-	X	X	X	X	X	X
Bezel Style	Terminal Style/Case Color	Circuit Form	Current Rating Level/Seal Type	Operating Force/Action	Button Color	Button Diameter/Length/Shape	
1. Style A	1. Solder/Silver	1. N.O.	1. Std./Unsealed ③	1. 2.5 lbs./Momentary	1. Red	A. 0.375"/0.250"/Flat	
3. Style C	2. Screw/Silver	2. N.C.	2. Std./Moistureproof	2. 4.0 lbs./Momentary	2. Black	B. 0.375"/0.250"/Dome	
4. 0.50-32 THD	3. Faston/Silver ①	6. 2 Circuit	3. Std./Watertight	3. Push-Pull ②	3. Orange	C. 0.375"/0.187"/Flat	
5. 0.469-32 THD	4. Solder/Black		4. Low Level/Moistureproof		4. Yellow	D. 0.375"/0.187"/Dome	
6. Style F	5. Screw/Black		5. Low Level/Watertight		5. Green	E. 0.312"/0.250"/Flat	
7. Style G	6. Faston/Black ①		6. Std./Dusttight		6. Blue	F. 0.312"/0.250"/Dome	
8. Style H					7. Purple	G. 0.312"/0.187"/Flat	
					8. Gray	H. 0.312"/0.187"/Dome	
					9. White	P. 0.375"/0.250"/Flat ②	

① Faston receptacles: 0.187" on N.O.; 0.110" on N.C. terminals.
② Push-pull action available in button style "P" only.
③ Unsealed units are not recommended for low level current duty.